

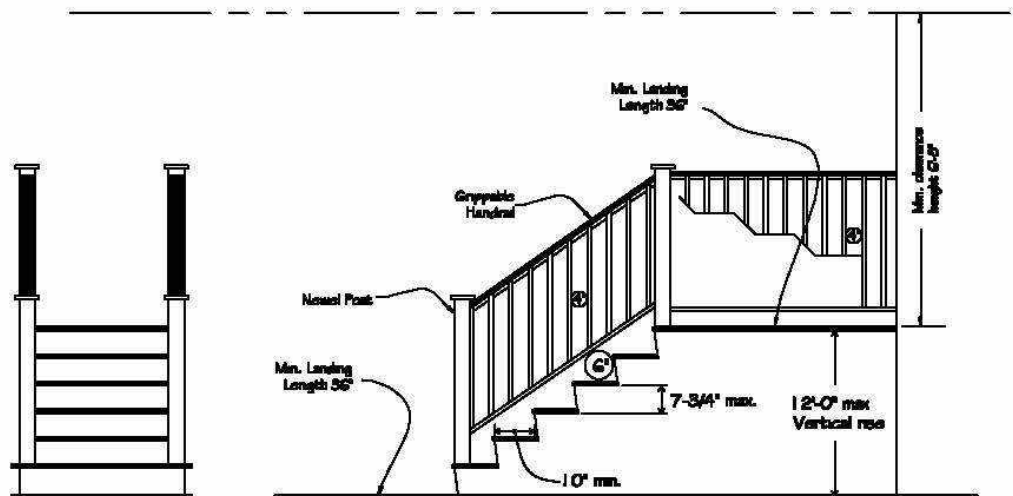


Handout # 7 Residential Stair Detail

Informational Handout

1. Grippable handrail at 34" to 38" above the stair nosing shall be provided on at least one side (grippable details on reverse). Handrails shall be provided on at least one side of each continuous run of treads or flight with four or more risers. Handrails for stairways shall be continuous for the full length of the flight, from a point directly above the top riser of the flight to a point directly above lowest riser of the flight. Handrail ends shall be returned or shall terminate in newel posts or safety terminals.
2. Headroom clearance of 6'-8" must be maintained. It must be measured vertically from the stair nosing.
3. Maximum riser height is 7-3/4". Minimum tread width is 10". The greatest tread or riser within any flight of stairs shall not exceed the smallest by more than 3/8".
4. Open risers are permitted, provided that the opening between treads does not permit the passage of a 4" diameter sphere.
5. If stairway is open-sided, a complying guardrail as shown must be installed. The spacing of rails must be such that a 4" diameter sphere can not pass through the opening. The space between stair and bottom rail (if any) must be such that a 6" diameter sphere can not pass through.
6. Stairways shall not be less than 36" in clear width at all points above the permitted handrail height and below the required headroom height. Handrails shall not project more than 4.5" on either side of the stairway and the minimum clear width of the stairway at and below the handrail height. This includes treads and landings, which shall not be less than 31.5" where a handrail is installed on one side and 27" where handrails are provided on both sides.

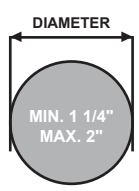
Residential Stairway (with Type II Handrail)



Front view

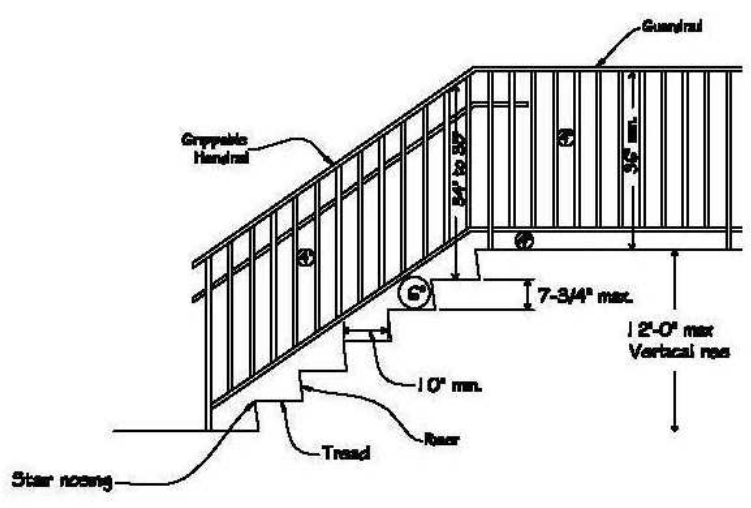
Side view

TYPE I - CIRCULAR

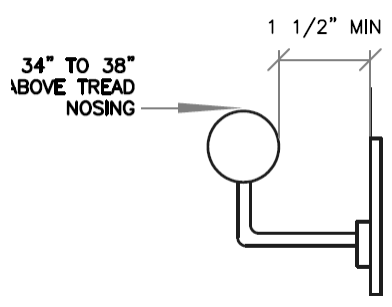


Residential Stairway (with Type I Handrail)

TYPE II - NON CIRCULAR



Handrail Profiles



Mounting Height